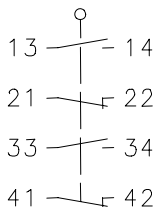


Series D

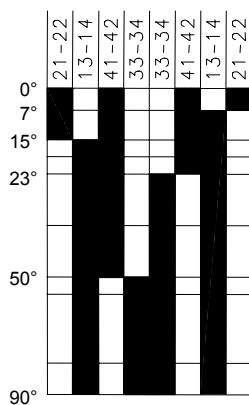
Description **D-SU2 VKS 90GR**

Article number **6142200765**


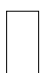
Operating symbol

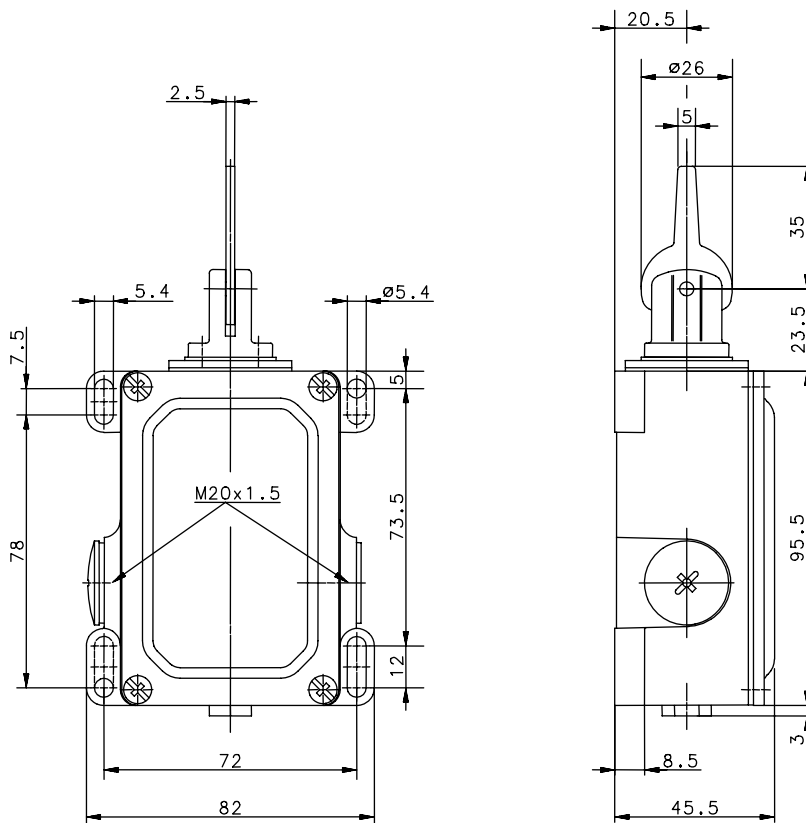


Operating diagram



Self arresting off 33°

  Tolerances
 ON OFF Operating point: $\pm 3,5^\circ$;
 Operating torque: $\pm 10\%$



Electrical data

| | | |
|---------------------------------|-----------|----------------------------|
| Rated insulation voltage | U_i | 400 V AC |
| Conv. thermal current | I_{the} | 10 A |
| Rated operational voltage | U_e | 240 V |
| Utilization category | | AC-15, U_e/I_e 240 V/3 A |
| Short-circuit protective device | | Fuse 2 A gL/gG |
| Protection class | | I |

This document will not become the contractual basis; the details included herein do not constitute any descriptions of expected conditions, so that warranties/claims for defects on account of possible variations of the actual qualities from the qualities described herein are explicitly excluded. All rights reserved. Specifications subject to change without notice!

Date of issue: 04.01.2012 / Page 1 of 2
 Document: 6142200765_en.doc/ Last update: 3 / 2297-08

Mechanical data

| | |
|--------------------------|--|
| Enclosure | Die-cast aluminium |
| Cover | Sheet aluminium |
| Actuator | Lever (St) |
| Ambient air temperature | -40 °C/ +80 °C |
| Contact type | 2 NO, 2 NC |
| Mechanical life | 1 x 10 ⁶ operating cycles |
| Switching frequency | ≤ 50 / min. |
| Assembly | 4 x M5 |
| Connection | 8 screw terminals (M3,5) |
| Conductor cross-sections | Solid: 0,5 ... 1,5mm ² Litz wire with ferrules: 0,5 ... 1,5mm ² |
| Cable entrance | 2 x M20 x 1,5 |
| Weight | ≈ 0,4 kg |
| Installation position | Operator definable |
| Protection type | IP65 acc. to IEC/EN 60529 |

Actuation

The actuating device is preferably started from 2 sides.

By loosening the 4 screws the actuation assembly can be rotated in 90 degree increments such that 4 actuation directions are possible.

The actuation assembly is to be again fastened to the housing using the 4 screws.

Standards

VDE 0660 T100, DIN EN 60947-1, IEC 60947-1
VDE 0660 T200, DIN EN 60947-5-1, IEC 60947-5-1

EU Conformity



Approvals

c CSA US A300 (same polarity)

Notes

The degree of protection specified (IP code) applies only to a properly closed cover and the use of an equivalent cable gland with adequate cable. The switch has to be protected from all kinds of weather conditions.